

4

3

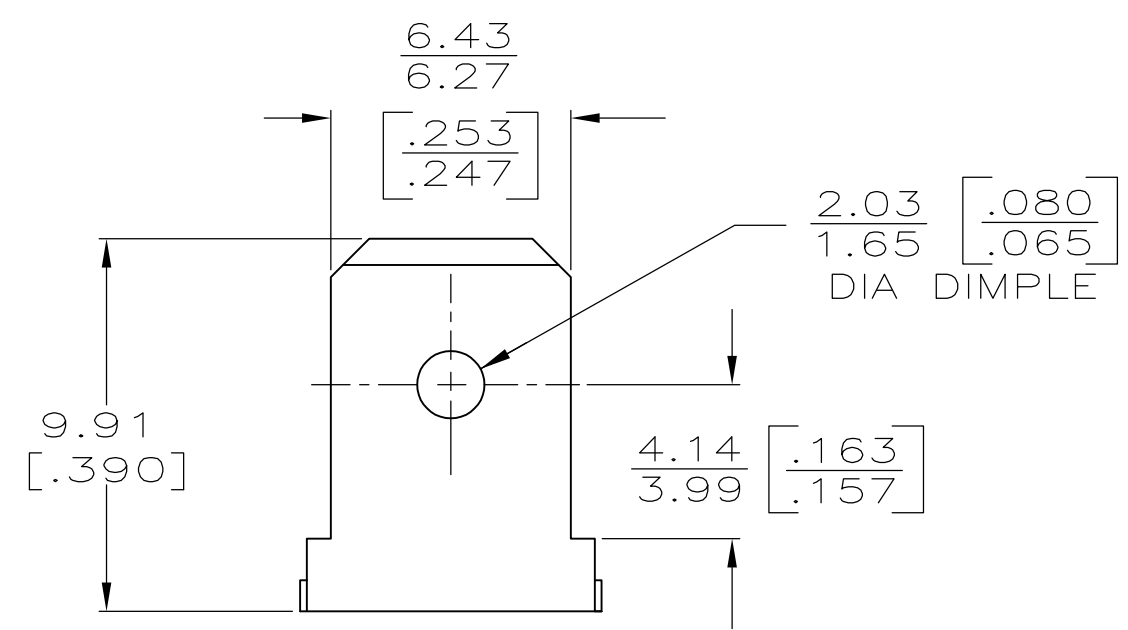
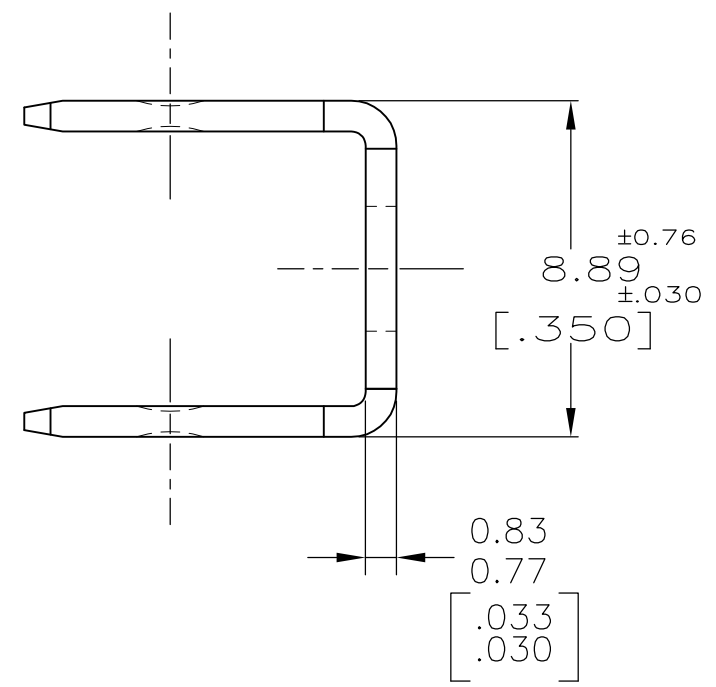
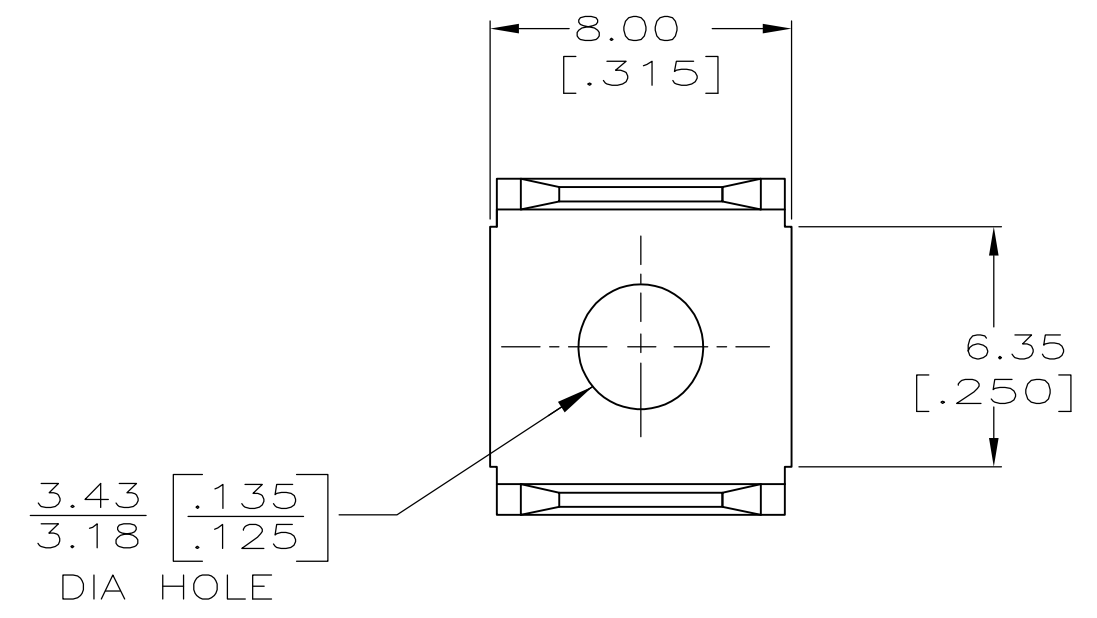
2

1


THIS DRAWING IS UNPUBLISHED. RELEASED FOR PUBLICATION
 © COPYRIGHT - By - ALL RIGHTS RESERVED.

LOC	DIST	REVISIONS			
P	LTR	DESCRIPTION	DATE	DWN	APVD
AF	50				
		REVISD PER ECR-13-011489	09DEC2013	KH	PD

1 SUPPLIED IN LOOSE PIECE.



41480
PART NO

THIS DRAWING IS A CONTROLLED DOCUMENT.		DWN JR RUTH 12/2/91	 TE Connectivity				
DIMENSIONS: mm [INCHES]		CHK MS FEHER 12/2/91					
TOLERANCES UNLESS OTHERWISE SPECIFIED:		APVD MEYERS 12/2/91	NAME				
0 PLC ± - 1 PLC ± - 2 PLC ± - 3 PLC ± 0.38 [.015] 4 PLC ± - ANGLES ± -		PRODUCT SPEC -	TAB, FASTON, 6.35 [.250] SERIES				
MATERIAL BRASS		FINISH TIN	APPLICATION SPEC -	SIZE A3	CAGE CODE 00779	DRAWING NO C-41480	RESTRICTED TO -
CUSTOMER DRAWING			WEIGHT -	SCALE 5:1	SHEET 1 OF 1	REV AH	